

The Inland Koi *Connection*



THE OFFICIAL
NEWSLETTER
OF IKS
ISSUE 153
NOVEMBER
2008

**Turkey
Entree
With
Potluck
Sides**



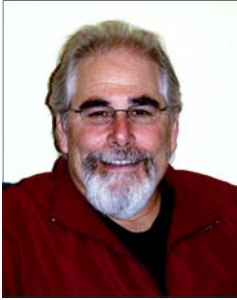
**NOVEMBER
23**



Sunday ~ 2-5 pm
IKS General
Meeting
at the home of
**E.J. & T.F.
Mc CLAIN**
with
**KELLEY
&
SABRINA**

16130 Red Pony Lane
Riverside, CA 92504
(951) 398-7048
Please RSVP at this
phone number or with
Kelly Houston at
(909) 885-2503





Our October general meeting was blessed with great weather and the hospitality of Tom and Zuma Ross. Their two Koi ponds blend into a natural landscape that features a dry riverbed, outlined by prominent trees, and highlights drought resistant plants, a variety of sage, and a third lily-and-goldfish pond. As beautiful as their property and ponds are, their Koi collection stole the show. Tom and Zuma Ross provided a scenic and comfortable setting for the 73 members and guests who attended the meeting.

Congratulations to Mary Leever, our 2009 Kelly Houston Koi Person of the Year Award winner. Mary has served the club as a Director for many years and is best known for coordinating our monthly raffles. Mary will be receiving a \$250.00 scholarship to help pay for her expenses to the 2009 AKCA Seminar in San Diego next February. I want to personally congratulate Tom and Zuma Ross and Tom Wright for also being nominated for this award.

Congratulations to Dennis and Donna Keats and their beautiful 7-year old, 23-inch Showa which they affectionately call Gimli. It is always difficult to choose only one Koi to represent our club, and as usual we have chosen another outstanding Koi from our membership.

In February 2009, the Koi Club of San Diego is hosting the annual AKCA Seminar. Usually held in June, in various parts of the country, it has been scheduled for the earlier date to coincide with the annual San Diego Koi Show. We are fortunate to have this outstanding event so near by. Many of you have received promotional materials for this event and it appears that this year's seminar and koi show have been developed to meet the interest levels of hobbyists at every stage of involvement. I strongly encourage each and every one of you to attend and participate in some aspect of the Seminar, even just for a day. I admit to having a bias, and would love to see each and every one of you representing the IKS at the Saturday night AKCA banquet. Please see the insert in this newsletter for further information about attending the Seminar.

We will have an IKS election to vote for our President and Vice-President for 2009 during our November meeting at the McClain's. Mark Krakower, our current Vice-President will be running for President. Dennis Lynaugh, Director, will be running for Vice-President. Mark and Dennis have held several offices in a variety of organizations. They have both served the club on the Board of Directors and have given freely of their time, energy and resources. I am very pleased to be passing the torch to these outstanding individuals.

I really enjoy this hobby of ours and my affiliation with the club, and am eternally grateful to the club for helping me develop a healthy pond and koi. Membership in the club over the past six years has cultivated my enthusiasm for the hobby and progressively developed my skills as a koi keeper. It has been a pleasure serving you, the IKS, over the past three years as your Vice-President and President. 2008 has been an awesome year for the club because of all of your support and participation. I look forward to continued service to the club as a Director under the leadership of Mark and Dennis.

Hope to see all of you at this month's meeting, our final meeting of the year, at the home of Mac and Jill McClain. Besides all the wonderful fellowship and our legendary Thanksgiving meal, we have another special treat this month. We will be demonstrating and raffling off (special tickets will be sold for \$5 each for this raffle item) a remote-controlled, self-contained Toba Fountain to a lucky winner (retails for \$999). See page 11 for more information on this product.

Enjoy the hobby,

Warmest Regards, *Gene*
Gene Maingot, IKS President

**BOARD of DIRECTORS
Inland Koi Society
2008**

PRESIDENT: GENE MAINGOT (951) 272-4450 gomaingo@sbcglobal.net
VICE PRESIDENT: MARK KRAKOWER (951) 371-2223 kraktronix@sbcglobal.net
SECRETARY: ZUMA ROSS (951) 354-6444 zumaross@charter.net
TREASURER: NICK MILFELD (951) 780-7395 milfeld@msn.com
NEWSLETTER EDITOR: DEBBY LEVERETT (951) 781-3887 jenniferdl1950@hotmail.com
DIRECTOR: Web Liaison MARY LEEVER (909) 862-3028 mary@leeverelectronics.com
DIRECTOR: KELLY HOUSTON (909) 885-2503 vpkelly@earthlink.net
DIRECTOR: JACK MARRIN (909) 792-3603 jack@marrin.com
DIRECTOR: Member Database TOM ROSS (951) 354-6444 tomzuma@charter.net
DIRECTOR: TOM WRIGHT (951) 637-5479 rookiekoiguy@earthlink.net
DIRECTOR: DENNIS LYNAUGH (951) 780-0123 dlynaugh@pacbell.net
DIRECTOR: ED KUSHNER (951) 520-0092 edkushner@msn.com

**Inside this
issue**

•Oval Pond •Board Members •Help Line	2
•Pond Profile •Map •Directions	3
•Support Sponsors •October Meeting •Ecological Labs	4/5
•Feeding Tips •Fall & Winter •Membership Form	6/7
•Greetings •Registration Form •KCS D Info	8/9
•Seminar & Koi Show •Koi & Person of Year •Toba Fountain	10/11
•W. Lim Corporation •Harrison Koi Farm •New Members	12/13
•Inland Koi Dealer •For Your Information •Calendar / Events	14/15

~HELP LINE~ REFERENCES

• KOI DISEASE: <i>Certified KHA</i>	TOM ROSS	(951) 354-6444
• INFORMATION:	JACK MARRIN	(909) 792-3603
• LIBRARIAN: <i>Books, Videos</i>	TEE WRIGHT	(951) 637-5479
• MEETING SITES:	KELLY HOUSTON	(909) 885-2503
• MEMBERSHIP:	TEE WRIGHT	(951) 637-5479
• NEWSLETTER ADS:	DEBBY LEVERETT	(951) 781-3887
• PLUMBING or FILTERS:	BOB WALTERS	(951) 681-4064
• WEB PAGE MANAGER:	MARY LEEVER	(909) 862-3028



JACK CORDS
 11800 Sterling Ave., Suite G
 Riverside, CA 92503
 printingcolor@yahoo.com
 www.printingconnection.net
 800.491.1964
 951.351.9437
 Fax 951.351.4574

Moss Bros. DODGE RIVERSIDE 


8151 Auto Drive • Riverside, CA 92504-4190
 (951) 688-6200 Ext. 1160 • 1-800-BOSS-MOSS • Fax (951) 688-8314
 www.mossbrosdodge Riv.com

"At Moss... You're The Boss!"

2 KOI GUYS

- ◆ Koi Pond Filtration
- ◆ Installations and Modifications
- ◆ Your UV Lamp Source
- ◆ Contractors Lic. #716692

Robert Walters ~ 951 205-1212
Scott Zehm ~ 951 237-2508



WATERSCAPE DESIGNS, INC.

909-981-1731
 www.thepondexperts.com

**Jim Thompson
 Debi Thompson
 Contr. Lic #824893**

1088 W. 9th Street • Upland, CA 91786
 Specializing in Koi Ponds, Filtration Systems & Watergardens
 DESIGN • CONSTRUCTION • RETAIL EQUIPMENT & SUPPLIES



LAGUNA KOI PONDS

Ben Plonski

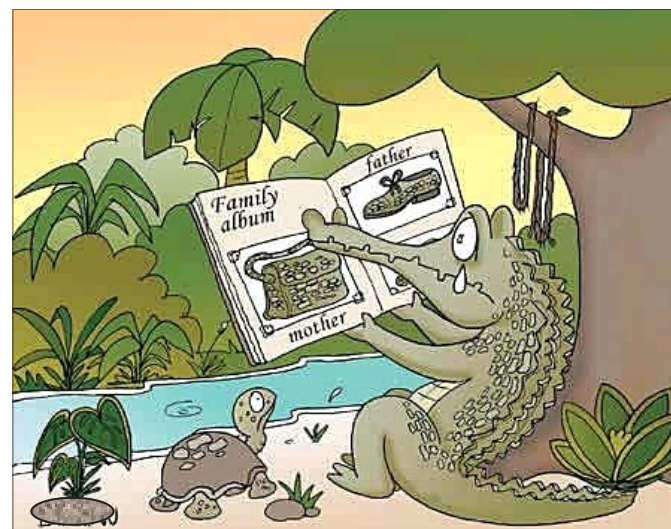
20452 Laguna Canyon Road, Laguna Beach, CA 92651
 bplonski@lagunakoi.com Phone (949) 494-5107
 Fax (949) 494-1679



Leo's Construction 

Driveways • Universal Flagstone • Block Wall
 Brick • Ponds • Waterfalls

LEO PALOMARES (626) 960-6157

Pond and Garden Lifestyles Magazine is now **Pond Biz Magazine**.
www.pondbizmag.com. Check this website for information. The mission of Pond Biz is to be the distributor of knowledge and the catalyst of change. Their goal is to help this industry find new ways to share knowledge and experience, so every business can reach their own potential in the quest for excellence. Editor Tom Graham believes we all win if we work together.

Keep in mind:
 To speak gratitude is courteous and pleasant, to enact gratitude is generous and noble, but to live gratitude is to touch Heaven. ~Johannes A. Gaertner

Celebrate the holidays with family and friends. You never know what the future holds...

IKS GENERAL MEETING ~ SUNDAY, OCTOBER 26, 2008 ~ RIVERSIDE

The October 2008 general meeting was held at Tom and Zuma Ross' house. 73 people attended. There were four visitors, and many members, some of whom we hadn't seen for a while. Frankly, I am honored all of you came. The weather was nice, the meeting area was shady, and everyone seemed to have a good time.

Gene started the meeting by announcing guests and new members. Then Tom and Zuma described their ponds and garden. The pond and tank filter systems are plumbed so that all drain and flush water is diverted to the garden and yard. The plants have really benefited from this nutrient-rich water, especially the trees.

The discussion topic of the day was water conservation. The water supply is down again this year, and the area is experiencing an extended drought. Cities have been announcing they would restructure water rates, and possibly limit the amount of water the homeowner could use. The discussion was lively, and there were many good ideas presented.

Kelly Houston Koi Person of the Year: The following were nominated: Zuma Ross, Mary Leever, Tom and Zuma Ross, and Tom Wright. Tom Ross declined. After a ballot, Mary Leever was elected the Koi Person of the Year.

Koi of the Year: The Showa belonging to Dennis and Donna Keats was chosen as the Inland Koi Society Koi of the Year. This picture will be entered into the contest for overall Koi of the Year at the next Koi Seminar which will be in February 2009 in San Diego.

Raffle: After a short break the raffle prizes were handed out. Mary Leever handed out the prizes, and Ed Kushner called out the numbers.

And that's all I can remember as we both spent the afternoon in a daze from the huge crowd – many times any previous gathering at our home. Thanks to all who attended.

Respectfully submitted by Zuma Ross, IKS Secretary

Ecological Laboratories, Inc.

Feeding your koi insects and larvae from the garden is not a good idea. They may have been exposed to insecticides and other chemicals which can harm your koi and fancy goldfish. It's much safer to use Legacy Dried Silkworm Pupae as a fresh insect protein additive.

If your fish do not eat as quickly as they have over the summer, check your water temperature. It may be getting too cold at night and the fish may not be able to eat. Remember, it is advisable to stop feeding when the water temperatures reach 50F consistently (more or less). Koi may still be hungry, but they don't know what the weather forecast will be. A cold snap can harm fish with a gut full of food.

Make sure your fish have sufficient oxygen in the pond over winter. Colder temperatures and a frozen surface can create oxygen depletion. Maintain an opening in the ice if your pond begins to freeze. If you are still adding Autumn Winter Prep, use the opening to add the product as scheduled.

Ecological Labs has fun on the holidays. All work and no play is not for us! When we are not inventing new MICROBE-LIFT products to make life easier, ponds cleaner, aquariums happier, and septic systems work better, we are testing (and double-testing) the technology, putting it into our own ponds, aquaria and septic systems. We are taking orders from distributors, keeping up with inventory, growing bacteria and packaging the myriad of products. BUT, on Halloween, which fell on a weekday this year, we had our own Trick-or-Treat Contest. It was extremely difficult to select a winner. But, when you receive your online copy of the Microbe-Lift Watergardener magazine, be sure to enter our Readers' Survey Contest. Let's make YOU the next winner of \$150.00 Microbe-Lift shopping spree! The deadline to enter is January 31st, 2009. This colorful, information-packed magazine is being emailed to customers home this time and I know you're going to love it. I'd especially like to thank everyone who sent their good reviews of Microbe-Lift products. We love our customers.



Email: carolynw@microbelif "Reprinted from Microbe-Lift Newsletter www.microbelift.com, publication of Ecological Laboratories, Inc. Interested parties are invited to write: Ecological Laboratories, Inc, Marketing Director, 2525 NE 9th Ave, Cape Coral, FL 33909 for more information."



Fall & Winter Feeding Tips

Drs. Foster & Smith Educational Staff
www.drsofostersmith.com

How you feed your fish in the fall and winter can have a large impact on their health through the winter to the spring. Spring is a time when fish are less hearty from winter and the fluctuating temperatures add to their stress level, making them vulnerable to disease.

A proper and balanced diet can help give your fish the protection they need. For instance, the diet of a koi in the wild would include fish, mollusks, crabs, and basically everything else that moves. A koi will enjoy eating anything that lives in water, be it fresh or salt, but it's best to cook these first to make sure parasites or disease will not be transmitted to your prize fish. Feeding your fish insects such as spiders, grubs, and worms on a regular basis can add great health benefits. Just make sure the creature won't bite the fish. You can even feed commercially available dried insects.

Goldfish do not eat as much food as koi, but often eat insects in and on the water, and would benefit from a variety in their diet also. Fancy goldfish, though, can have problems sucking in too much air when taking food from the surface, causing swim bladder problems. For this reason it is wise to feed them [food](#) that slowly sinks.

Floating food such as [flakes](#) or [dried insects](#) should be soaked first before feeding. For all types of fish this can be a great way to add vitamins to their diet. Vitamins B and C, and spirulina are great supplements as well as a small amount of wheat germ oil. Fish oils can be a great source of energy for your fish.

As the cooler temperatures arrive, you'll want to start getting your fish ready for the winter ahead. The only way you can possibly feed your fish correctly as the weather cools is to know the temperature of the water. If you do not have a [thermometer](#), this is the time to get one.

Once the water temperature lowers to 70°F, your fishes' staple food should be mixed with a [wheat germ base](#) that is lower in protein. When the water temperatures reach 60°F the staple food should be switched to wheat germ based foods exclusively. Proteins are much harder to digest than other nutrients. The wheat germ diet can continue to be fed all winter if the water temperature doesn't get below 50°F. At 55°F the fish's metabolism starts to slow, reducing its intake requirements. *Once the water temperatures go below 50°F, it's time to stop feeding until spring.* **Important:** Do not feed if there is any chance of the temperatures dropping below 50°F within a few days. Fish are not capable of proper digestion in cold water and the food can decay in their system, sending bacteria into the bloodstream and killing the fish.

At 55°F the fish's metabolism starts to slow, reducing its intake requirements. Once the water temperatures go below 50°F, it's time to stop feeding until spring.

Anytime you are feeding when it's below 60°F, keep in mind the bacteria in your filter are also slowing their activity. They no longer reproduce, and they will die off or go dormant when extreme water temperatures are experienced. It's a good idea to test the water regularly to make sure ammonia and nitrite aren't showing up. A great diet to end the year and start in spring would include a mild antibiotic soaked in the food. Do not add antibiotics to the water as they can damage the natural balance in your pond.



— INLAND KOI SOCIETY —
2009 MEMBERSHIP RENEWAL

Annual Member Dues at renewal are \$45.00, due by January 1, 2009:

Family Membership fee: \$25 per year
 KOI USA renewal: \$20 per year (6 issues)
[Regular subscription, without club discount, is \$24.95 a year; newsstand price is \$35.70 a year.]

Additional name badges are available at \$8.00 each.

Please make check payable to *Inland Koi Society* and mail to:

Inland Koi Society — Treasurer
5198 Arlington Ave., Box 146
Riverside, CA 92504

Please print all information.

Yes, I /we will renew membership in the **Inland Koi Society** for the year **2009**:

Is this a new Address? ___ Yes ___ No **Phone?** ___ Yes ___ No

Name(s)* _____
 Address* _____
 City* _____ State, ZIP _____
 Phone* [Home] _____ Phone* [Work] _____
 E-mail* _____ Fax* _____

Would you be willing to host a meeting in 2009?
 _____ Yes ___ No
 Which months are best?

***Please** items below you would like **EXCLUDED** from a published Member Directory:

Name	Address	City	Phone	E-mail	Work	Fax
------	---------	------	-------	--------	------	-----

Please order new/additional name badge(s) at \$8.00 each:

Name _____	Pin type OR	Magnetic	@ \$ 8.00	\$ _____
Name _____	Pin type OR	Magnetic	@ \$ 8.00	\$ _____
Member Dues: 2009 Renewal			@ \$ 25.00	\$ _____
KOI USA: New or Renewal, with Member discount			@ \$ 20.00	\$ _____

TOTAL AMOUNT ENCLOSED \$ _____

Please make comments to the Board or offer suggestions for program topics that would interest you:

Rev. 10/2008

Visit our website: www.inlandkoisociety.org

Greetings from the Inland Koi Society

IKS was Founded in 1978 by Bob Everett

IKS is a very active and outgoing group and we hope that members find not only helpful information about keeping their ponds and fish healthy, but also a host of new friends among us. You should know, though, that not all of us have ponds yet: some have joined to learn from others' mistakes before they make their own! But let us tell you a little about what the Inland Koi Society does and how our club works.

Membership includes the family and all may attend meetings: yes, even the children if you like. We meet monthly on the fourth Sunday, normally from 2 to 5 PM, for a potluck lunch and a program at a member's home. Weather is generally in our favor for outdoor meetings, but when it's not we make other arrangements. A club newsletter, the Inland Koi Connection, comes out mid-month with a map and details about the coming meeting and we post a few KOI signs in the neighborhood so we can find the right house. Everyone brings a beach or folding chairs so the hosts are not burdened with trying to seat us all. In the first half hour, as people arrive and check in, there's time to check out the hosts' pond, talk with them about their filtration system, problems, etc., and basically get to know other members.

Lunch is a buffet style potluck. The club provides paper goods and beverages. We usually have a guest speaker who presents us with information which focuses on our ponds. Of course, there's always time for questions and answers. Before we close the meeting we have a raffle. The club provides some of the prizes while members and sponsors donate others; these items are generally pond related (like fish foods, plants, art work, and miscellaneous gift items). We have some breeder/dealers in our club, so occasionally a fish is donated, too. Tickets are sold for \$1 each or 6 for \$5; folks buy what they will. The income covers the cost of the meeting.

Occasionally we take to the road to visit another club, tour a breeder's facility, or go to a Koi show. We have had ten very successful Pond Garden Tours with 300 to 600 people in attendance each time. We have had one very successful Koi & Used Equipment Auction and have decided to hold the Pond Garden Tours and the Auctions in alternate years. We have an extensive library of resource books and videos on all aspects of Koi ponds and water gardens for our members' use. Additionally, we have people who are readily available to help when questions or problems arise.

New members receive a name badge and a copy of *KOI Keeping 101*, a basic primer for pond owners. Hopefully they find a lot of new information in it. Name badges are ordered as soon as someone joins and are usually available by their third meeting. Most members subscribe to *KOI USA*, but it takes a couple of months to receive your first issue as it is published bi-monthly. *KOI USA* is an excellent full-colored hobbyist's magazine, perhaps the best outside of Japan, and is published by our parent organization, the Associated Koi Clubs of America (AKCA).

Feel free to visit one of our meetings before you make your decision to join us. You can E-mail any of the board members or check the calendar on the IKS website www.inlandkoisociety.org for the location. We hope you'll take an active interest in the group. We all have so much to learn about these friendly Koi, and as we share our experiences with others, our own enjoyment increases.

We look forward to hearing from you!

The IKS Officers and Board Members

2009 AKCA Seminar - February 11-15, 2009

Sun, Surf and Koi

Hosted by the Koi Club of San Diego
at Marriott San Diego Mission Valley Hotel

\$129 room rate if resv by 1/21/09
call 800-228-9290 code KOIKOLA

Registration Form ~ Please Print Legibly

Name (one) _____
As you would like it to appear on your badge

Name (two) _____
As you would like it to appear on your badge

Phone _____ Mailing Address _____

City _____ State _____ Zip Code _____ Country _____

E-Mail Address _____ Club Affiliation _____

Choice of Package I or II

Package I Offers

- * Entry to All Seminars
- * Thursday Night reception
- * Friday KOI USA breakfast
- * Saturday AKCA Lunch
- * Saturday AKCA/Koi Show Banquet
- * Sunday Pond Tour (Box Lunch)

Single \$250.00 \$ _____

Couple \$375.00 \$ _____

Package II Offers

- * Entry to All Seminars
- * Thursday night reception

Single \$130.00 \$ _____

Couple \$240.00 \$ _____

Tradeshow / Koi Show is Free to All!

Extracurricular Activities / Single Events

Thursday, Feb 12 tours (per person)

City Tour AM (1/2 day) \$50.00 \$ _____

City Tour + Balboa Park(all day) \$75.00 \$ _____

City Tour + SD Zoo (all day) \$95.00 \$ _____

USS Midway/Maritime Museum/ Seaport Village
(all day) \$75.00 \$ _____

San Diego Zoo Tour (all day) \$80.00 \$ _____

Sea World Tour (all day) \$95.00 \$ _____

Open Wet Lab \$50.00 \$ _____

Thurs night reception FREE

Friday, Feb 13 (per person)

Friday KOI USA breakfast \$30.00 \$ _____

Friday Dinner Cruise \$95.00 \$ _____

Saturday, Feb 14 (per person)

Saturday AKCA Lunch \$45.00 \$ _____

Saturday AKCA Banquet \$60.00 \$ _____

Sunday, Feb 15 (per person)

Pond Tour & Box Lunch \$50.00 \$ _____

Single Event Total \$ _____

Meal Selections

Sat lunch (Chicken, Fish or Vegetarian) 1 _____

2 _____

Sat Banquet (Beef, Fish, Chicken, Vegetarian) 1 _____

2 _____

Pond Tour (Meat, Vegetarian) 1 _____

2 _____

Fri Dinner Cruise (Steak & Chicken, Vegetarian) 1 _____

2 _____

**KOI Show registration is handled separately. Contact
Kristine Peterson at kristine@koisd.info**

Register by Nov. 15, 2008 to be entered into a drawing for an
\$800 koi donated by Eastern Nishikigoi. **Thursday tours and
seminar meal registrations close on February 4, 2009**

Payment Information

Payment by check or credit card (VISA or MasterCard) must
accompany registration form. Cancellations must be received in
writing on or before **Jan 21, 2009** to be refundable.

Make check payable to AKCA or fill out below for
credit card payment:

Check one: VISA _____ MasterCard _____

Expiration Date: _____

Account No.: _____

Signature: _____

Total Payment

Package I or II: + \$ _____

Single Events total + \$ _____

Total Submitted = \$ _____

Mail Form & Payment to: AKCA, PO Box 4045, Oakhurst, CA 93644 or online at www.akca.org

Questions? Registration-Doug Dahl 559-658-5295, judgetahl@hotmail.com Seminar-Bill Thompson bill@koisd.info

Combined 28th Annual AKCA Seminar, 22nd Annual Koi Show of San Diego, & 3rd Annual American Breeder Koi Show

February 11-15, 2009

San Diego

***Register by November 15, 2008 to be entered into a drawing
for a \$800 koi donated by Eastern Nishikigoi



A Koi Extravaganza Unlike Any Previous

On behalf of the Koi Club of San Diego, we want to invite you and your lovely koi to the **28th Annual AKCA Seminar** to be held at the Marriott Mission Valley Hotel (800) 228-9290 on the second weekend of February, 2009 (President's Weekend). This will be the koi event of the year in United States for the following reasons:

- (1) **Our 28th Annual AKCA Seminar is for the first time being combined with:**
 - (a) *The 22nd Annual Koi Show of San Diego* (always 250 to 400 koi), and
 - (b) *The 3rd Annual American Koi Breeders Koi Show*
- (2) It is **being held in the much cooler month of February** (not hot ole' June)
- (3) It is **being extended** for more koi comradeship, a longer trade show & because Monday the 16th is a holiday

Highlights of Two Koi Shows

Not just one, but **two koi shows**

All 30 AKCA Judges will judge both koi shows

Kunzio Narita (high ranking ZNA judge) and Ray Abell will be consulting

American Breeders on Friday, San Diego on Saturday

Anyone may purchase a koi and enter it into show up to Friday at 5 pm

Koi shows will be outdoors for natural lighting (BRING YOUR GOSANKE)

Highlights of Seminar

May choose from **three seminars occurring at any one time:**

A koi tract, pond tract, and Koi 101 tract

Three half day workshops available:

Wet lab, Building a Japanese Garden-Pond, and Art with Pattigraphix

Three Panels with audience interaction:

How to Grow Jumbo Koi, Veterinarian, and American Breeders

NO competing talks 3 to 5 pm each day...all events at Trade Show

HUGE TRADE SHOW: Dry Vendors indoors, Wet Vendors outdoors

Social and Meal Events

Thursday outstanding **OPTIONAL TOURS:**

City Tour, Famous San Diego Zoo, Historical Midway Aircraft Carrier,
and Sea World

Thursday night welcome cocktail reception 5 pm:

Sponsored by William Lim: finger food and no host cocktails

Friday morning Breakfast with Keynote talk by Mamoru Kodama

Friday night Dinner Cruise on beautiful San Diego Bay (\$95 - not included in seminar packages)

Saturday Night Seminar/Koi Show Dinner Banquet

Pond Tour - there are five ponds on the tour from 8 am to 1 pm

Important Dates

Early Registration

If you register for the seminar
by **Nov. 15**, you will be
entered into a drawing to win
an \$800 koi, donated by
Eastern Nishikigoi

Hotel Room Reservations

January 21

Thurs. Optional Tours/ Events and Meal Requests

February 4

Koi Show Registration

February 8

Koi Show package and
Vendor information can be
found on the web site
www.koishow.org

The Koi Club of San Diego is proud to welcome all of you and undertake this huge adventure and challenge of not just the AKCA Seminar, but also hosting two koi shows. **Do not miss this koi extravaganza of the koi world.**

Galen Hansen

Galen Hansen, AKCA Host Chairman

www.koishow.org

galenkoi@aol.com

2009
Koi
Person
of
the
Year
Kelly
Houston

MARY LEEVER



PHOTO BY CHRISTINE NOBLES

Mary Leever is finally being honored after many years as a 'worker behind the scenes.' She is a proud Board Member and always present. In fact, she is much like a caring mother to most of us: caring, sensitive, diligently doing the work, never complaining, and always busy.

She is usually one of the first to volunteer for tasks she knows she can handle, and I'm sure you'll recognize her busy at the raffle table. For most of the raffle prizes (ones members do not bring) she has made arrangements with certain dealers and she even drives out to retrieve them.

I cannot even begin to list all Mary has contributed to this club, but her heart is bigger than the list would be!

Mary will be the Inland Koi Society's Kelly Houston Koi Person of the Year, will be given a commemorative plaque at the 2009 AKCA Seminar & Koi Show in San Diego, and will receive much recognition from club members.

IKS THANKS YOU, MARY!

SHOWA OWNED BY DENNIS & DONNA KEATS



PICT2493

2009
IKS
Koi
of
the
Year



PICT2495



February 2003

Here are the photos of Gimli, our Showa Koi of the Year. PICT2493 and PICT2495 are the photos we submitted. The other photo is from the Laguna Koi website from when we purchased Gimli in February 2003. He was 2 years old and about 12" then. He is now about 23". He was kept in our indoor koi pond for three years because he was our favorite; now he is in the larger outdoor pond.

What drew Donna to this fish was the brilliance of the hi and sumi which have continued to improve as he has grown. The white with red on his left shoulder resembled the Japanese flag (rising sun). He was our first purchase after building our ponds and after two test fish.

His name was chosen for my favorite character in *Lord Of The Rings*. Actually, all of our fish except one have names from that movie.

~Dennis & Donna Keats

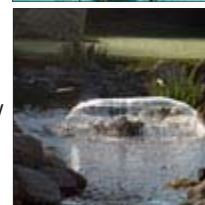


- Awarded the 2002 Invention of the Year Award by Hammacher/Schlemmer
- Featured on CBS 2 and on Fox
- Showcased in *Pool & Spa News* and *Water Garden News*
- Showcased in the HGTV special, "The Outdoor Living Expo 2007" currently airing
- Attended the Golden Globes® Gift Suite 2007
- The ONLY remote controlled, self-contained fountain on the market for residential pools and ponds

Unlike traditional fountains for pools that require you to invest in permanent installation or have them attached to the filtration system, the Legend Fountain gives pool owners options! Each fountain comes standard with four different fountain heads, lighting effects, long range RF remote control, automatic timer and automatic effect changes! With the different fountain heads, you can create a variety of spray patterns and sound effects. Enjoy over 150 light and water displays! The Legend Fountain can accommodate all owners by offering them the opportunity to control the spray heights. Set the fountain for a high energy experience or relax listening to a gentle whisper. In the evening, enjoy the standard equipped lighting effects. View any of the four different light colors...or adjust the remote control to automatic and watch the lighting effects and spray patterns change automatically.



Every Legend Fountain comes complete with fountain, 2 waterproof batteries, dual battery charger, customized dolly, long range RF remote control, four standard lighting lenses, three fountain spray heads plus one bonus spray head (spray styles are Toba, Umbrella, Firehose and Peacock), an anchor with adjustable cable and an anchor locator (skimmer attachment for anchor positioning).



Using moving water is a universal aspect in the Earth's natural terrain. Using moving water in and around your koi pond adds both visual and auditory effects that greatly enhance an Asian-style water garden environment.

www.tobafountains.com

(RF = radio frequency)

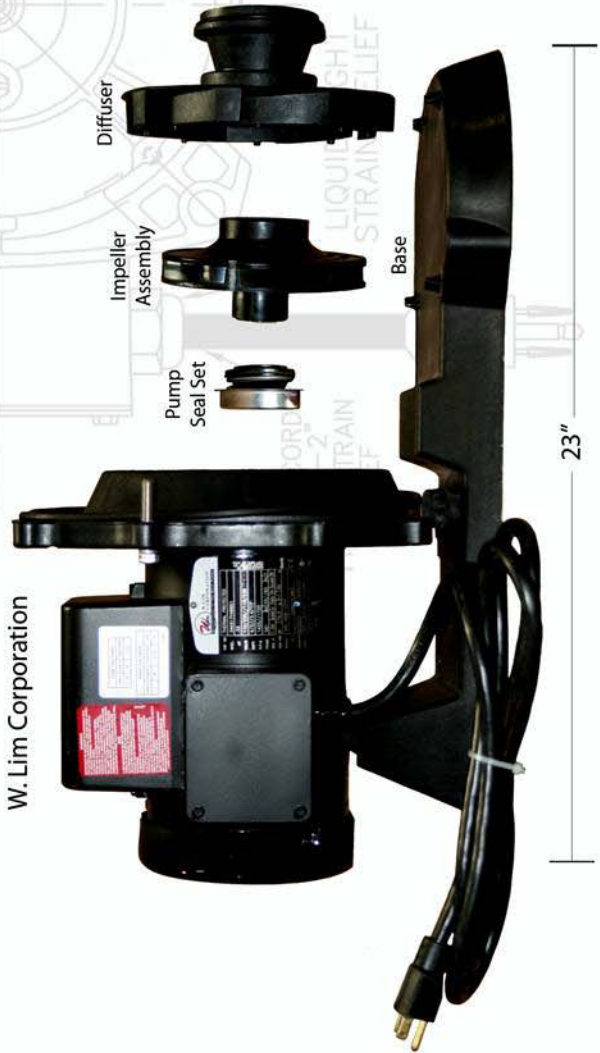
TO BE WON IN A RAFFLE DRAWING THIS MONTH - TICKETS WILL BE 5.00 EACH

W. Lim Corporation
11095 Inland Avenue
Mira Loma, CA 91752
Tel (951) 360-7878 Fax (951) 360-1166



DRAGON Series

Industrial Baldor Motor
custom built for
W. Lim Corporation



Model Shown: Dragon 1/3 HP

WELCOME

NEW MEMBERS	CITY	JOINED
BOB & LILLY CENDEJAS	BREA	09 - 08
MICHAEL & JULI CHIN	RIVERSIDE	09 - 08
GARY & SHARON DIBBEN	VICTORVILLE	07 - 08
MARC & ADRIANNE DUBUISSON	RIVERSIDE	07 - 08
JOHN & ANN GEERKEN	CLAREMONT	09 - 08
JOSEPH HERNANDEZ	RIVERSIDE	10 - 08
GEORGE HSU	WALNUT	10 - 08
DAVID & NANCY LEWIS	RIVERSIDE	09 - 08
BRUCE & LYDIA PORTER	RIVERSIDE	10 - 08
MARILYN ROACH	LYTLE CREEK	08 - 08
KATHRYN TAGGART	MIRA LOMA	09 - 08
LARRY & GLYNN THOMPSON	RIALTO	07 - 08
JOHN & IRMA WAGONER	WILDOMAR	09 - 08

IKS HOPES YOU ENJOY A FUN AND INFORMATIVE ASSOCIATION WITH OUR CLUB! FOR EXTRA HELP, QUESTIONS, OR INFORMATION, BE SURE TO REFER TO THE 'HELP LINE' ON PAGE TWO.



In Memory - Hiroji Sakai

August 26, 2008

In the early hours on the morning of August 26 2008, the koi world lost its most dynamic and pioneering koi breeder with the passing of

Hiroji Sakai, President of Sakai Fish Farms of Hiroshima.

Together with his younger brother Yoshimichi and son Kentaro, Hiroji revolutionized koi breeding in Japan and brought koi breeding and rearing standards to an unprecedented level, resulting in Sakai-bred koi taking Grand Champion five times out of the last eight All Japan Koi Shows.

Hiroji Sakai brought the love of koi to thousands throughout Japan and around the world, and will be dearly missed by those of us who had the honor of knowing him as we did, a loving grandfather, father, husband, and an unparalleled koi breeder with a true love of Nishikigoi.

Hiroji Sakai's legacy lives on in the Nishikigoi bloodlines that he created and cherished, and in the thousands of lives that he touched with his smile.

<http://www.pondbizmag.com>

(951) 369-9998



HARRISON'S

KOI

FARM

POND KOI • SHOW QUALITY KOI

2000 KOI on display from 3" to 30"

Specializing in hard to find varieties

- KOI FOOD
- SUPPLIES
- EQUIPMENT
- CONSULTATION



Terry & Koren Harrison
5580 / 5582 Rio Road
Riverside, CA 92509

We welcome you to Inland Koi, where you get the best quality Japanese koi selections at a reasonable price. We have many varieties of koi for you to choose from, such as kumonryu, goshiki, utsuri, koromo, midorigoi, ochiba, kujaku, ogon, kikusui, hariwake, shusui, asagi, and of course the traditional gosanke (kohaku, showa, and sanke). We generally stock all sizes of quality Japanese koi, from 5 to 30 inches long, and have thousands in stock for you to choose from. We pride ourselves on being able to offer these beautiful Japanese koi at affordable prices. All of our koi are imported from reputable breeders in Japan to maintain a high quality selection.

And to assure the good health of each koi, we quarantine all of our fish prior to sale.

~Inland Koi Staff

The owners of Inland Koi recently returned from Japan and as of Sunday Oct. 26, 2008, have some "New Arrivals" to show off. Give them a visit or check their website!



*Editor's note:

Be sure to thank Inland Koi for supporting the Inland Koi Society by advertising in The Inland Koi Connection and by constantly donating young, beautiful, healthy koi to our monthly meeting raffles.

Check out the incredible and informative videos at www.inlandkoi.com. Go to the website home page, then click Inland Koi Video or Koi Diseases on the side bar.

INLAND KOI

Quality Japanese Koi & Pond Supply



Importers of high quality Japanese koi. Complete line of koi & pond supplies.

4337 Ardsley Court
Riverside CA 92505



Store Hours: Mon-Sat 10:00-5:00
Sun 10:00-4:00

Phone: (951) 352-5128
Email: inlandkoi@inlandkoi.com

THE BEST QUALITY
Japanese Koi
AT A REASONABLE PRICE!

**INLAND KOI SOCIETY
PROGRAM PLANNING CALENDAR 2008**

REGULAR MTG 4th Sunday	HOSTS Address	PROPOSED PROGRAM Speakers	BOARD Wed. after Mtg
November 23 <i>Thanksgiving 11/27</i>	Mac & Jill McClain 16130 Red Pony Lane, Riverside, 92504 (951) 398-7048	Elections, Toba Fountain's demonstration & raffle, Ham & Turkey Feast, final IKS Meeting of the year 2008.	Dec. 3
December 2008	No Meeting	No meeting until Jan. 25, 2009	Adjourned until Jan. 2009



HELP US RESTORE OUR KOI FAMILY

鯉 KOI

*Koi symbolize strength,
peace and grace.
With their contrasting,
vibrant colors they are also
known as "living jewels."*



The Japanese Friendship Garden in Balboa Park suffered a tremendous loss on October 7th, 2008. Twenty-two of the twenty-three koi in its acclaimed collection died due to an equipment malfunction.

The koi collection was acquired over the years and each koi was valued from \$800 to \$3500, depending on its size and type. Some of the fish were award winning, having received accolades from Koi clubs around the world. The Koi Pond has been featured in numerous local and national magazines for various Japanese gardens and koi enthusiasts. The koi collection is one of the main attractions of the Garden.

Each koi has its own distinct personality and character. Symbolizing strength, peace and grace, their contrasting, vibrant colors make them known as "living jewels". They are very social by nature and a favorite among children and adults alike. The loss of the koi was not only a loss to the Garden, but also a loss to the community.

The Japanese Friendship Garden Society of San Diego has established a Koi Fund. Your support will enable the Garden to purchase new koi and to maintain, feed and sustain the koi for the future. This will ensure the koi will continue to thrive and give joy to the Garden's visitors.

Please join us for a
Koi Benefit Event



Japanese Friendship Garden
2215 Pan American Road East
San Diego, CA 92101

Saturday, November 22
3:00 p.m. - 6:00 p.m.



Koi presentations by
Linda Pluth and Jack Chapman
from the Koi Club of San Diego



Hors d'oeuvres and Refreshments



Your RSVP is requested by November 19
619.232.2721
Email: JFGSD@niwa.org

Donations are kindly accepted

Help us restore our koi

2008
**N
O
V
E
M
B
E
R**

Coming Events

14	AKCA BOARD MEETING ~ 7pm / 529 E. Blueridge Ave Orange, CA 92867 / Call Kelly Houston at (909) 885-2503 for more information.
23	IKS GENERAL MEETING AND POTLUCK ~ 2:00-5:00 pm at the home of Mac & Jill McClain in Riverside. For more info contact Kelly Houston at (909) 885-2503
27	THANKSGIVING DAY ~ Fall
Dec. 3, 2008	IKS BUSINESS MEETING ~ 7 pm / <i>All members of IKS welcome!</i> 6531 Box Springs Blvd, Riverside / Gene Maingot at (951) 272-4450.
JAN. 25, 2009	Have a safe and healthy holiday. IKS is adjourned until the new year. We will meet again on the 4th Sunday of January.

**H
A
P
P
Y

T
H
A
N
K
S
G
I
V
I
N
G**



Life is very busy and times are hard, so this is just a reminder the IKS RENEWAL DUES are coming up by December 15, 2008. November's Inland Koi Connection contains a reminder and a renewal form for your convenience, in the middle of the newsletter.

**H
A
V
E
A
H
A
P
P
Y

N
E
W
Y
E
A
R**



MERRY CHRISTMAS

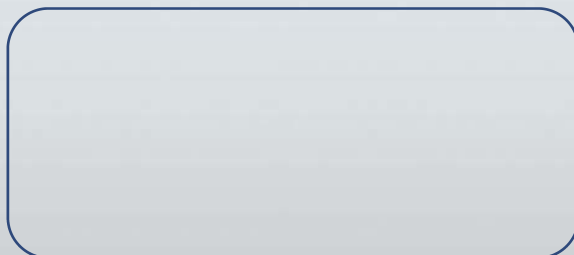


I hope you will be surrounded with simple joys, abundant love and lots of physical and spiritual comforts throughout the holidays. May your health and the health of your koi greet the new year with vim & vigor! Debby Leverett, IKS Newsletter Editor

The Inland Koi Connection is a publication of the Inland Koi Society. Material is selected for the club's interest in ponds, koi, gardening, and other activities. IKS Officers and Directors accept no responsibility for accuracy of content. Reproduction is permitted provided this newsletter is credited as the source. Deadline for newsletter items is the 5th day of each month and items should be submitted directly to Editor, Debby J. Leverett at 5349 Jasper Lane - Riverside, California 92506 Phone: (951) 781-3887 E-mail: jenniferd11950@hotmail.com



INLAND KOI SOCIETY
5198 ARLINGTON AVE., #146
RIVERSIDE, CA 92504



Visit our website: www.inlandkoi.org